

## Solutions for Automation, Assembly & Packaging

# TRP - TRW SERIES

## WORKING POSITIONING TABLES FOR ROBOTIC CELLS

**TRP Model Sizes:** 80, 110, 160, 210, 315, 400, 470

**Fixed Indexing Stations:** Standards in 2 to 12 positions

**TRW Model Sizes:** 210, 315, 400, 470

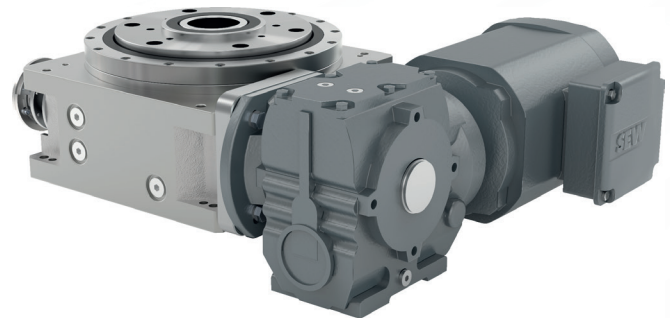
**Fixed Indexing Stations:** Standards in 2 to 12 positions

### SPECIFICATIONS

- Load capacities from 500 lbs. to 50,000 lbs.
- Barrel Cam Worm design for high torque requirements.
- Zero backlash with maximum accuracy & repeatability.
- Self locking in dwell/station position.
- Oversized crossed roller bearing support of output dial for overhung and unbalanced loads.
- Bolt in stationary center post with generous thru hole.
- LUBED FOR LIFE-Zero maintenance and O-Ring sealed.
- Available with various reducer and motor packages.
- Optional input torque limiters for protection of table.



Rotary table TRP 160



Rotary Table TRW 210