

Solutions for Automation, Assembly & Packaging

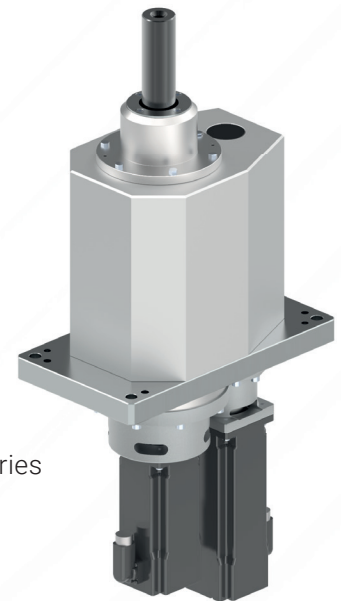
MCR SERIES

FREELY PROGRAMMABLE PICK & PLACE POSITIONER

MCR Sizes: 75
Max pressing force: 1000 N
Max payload: 200 N
Max. vertical stroke: 100 mm

SPECIFICATIONS

- Fully programmable for flexible positioning
- Handle heavy parts with fast cycle rates
- Compact footprint and clean design - meets "clean room" requirements
- Simple and easy mounting using the main connection plate
- High mechanical rigidity, smooth vibration free motions, quiet operation and high repeatability throughout the work/motion cycle
- Leakproof performance in every working position
- Lubed for life – zero maintenance. All internal components run in a sealed oil bath



MCR Series



MCR with grippers