

Delivering effortless power for the **world's best golfers**

Nordson Sealant Equipment helps major golf club manufacturers up their game

Synopsis

A leading golf club manufacturer in California was operating with a large number of adhesive metering systems in their assembly process.

Every four hours, the material in their pneumatic dispensing systems was curing internally, causing each system to stop running and require re-calibration. The production delays were unsustainable and needed to be addressed.

To solve the problem Nordson Sealant Equipment provided it's Servo-Flo® 801 servo-motor metering system on a 90 day free trial. After just 30 days, the manufacturer placed orders to replace all of their dispensing systems.



System Selection

The club manufacturer expressed a need to also improve product quality in addition to optimizing manufacturing uptime and production rate. To upgrade their process, our team of application specialists selected the Servo-Flo 801 from our comprehensive Micro-Meter product family.

Material and Assembly Process

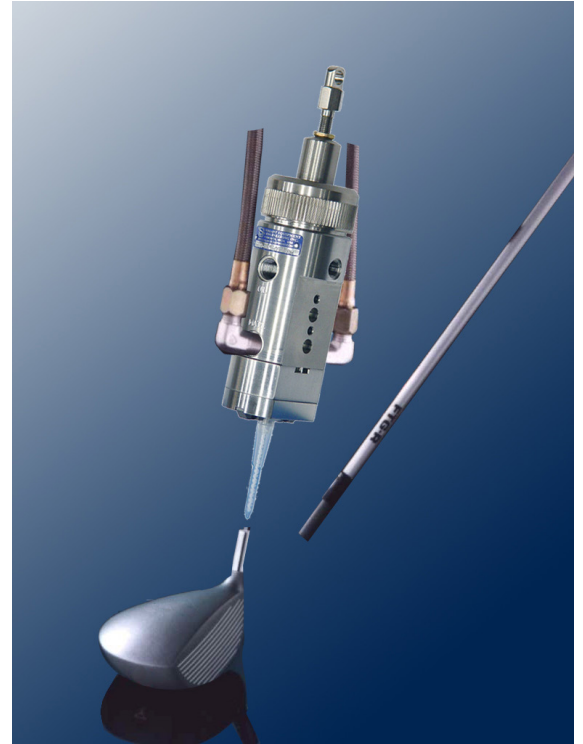
Previously the manufacturer used a two-component epoxy and has now converted to a 2-component acrylic adhesive with a 1:1 ratio, to provide a stronger, more durable permanent bond between the club head and shaft.

Pre-defined material shot sizes, in the range of 0.3 cc to 1.5cc are selected on demand by the machine operator, appropriate to the club being assembled.

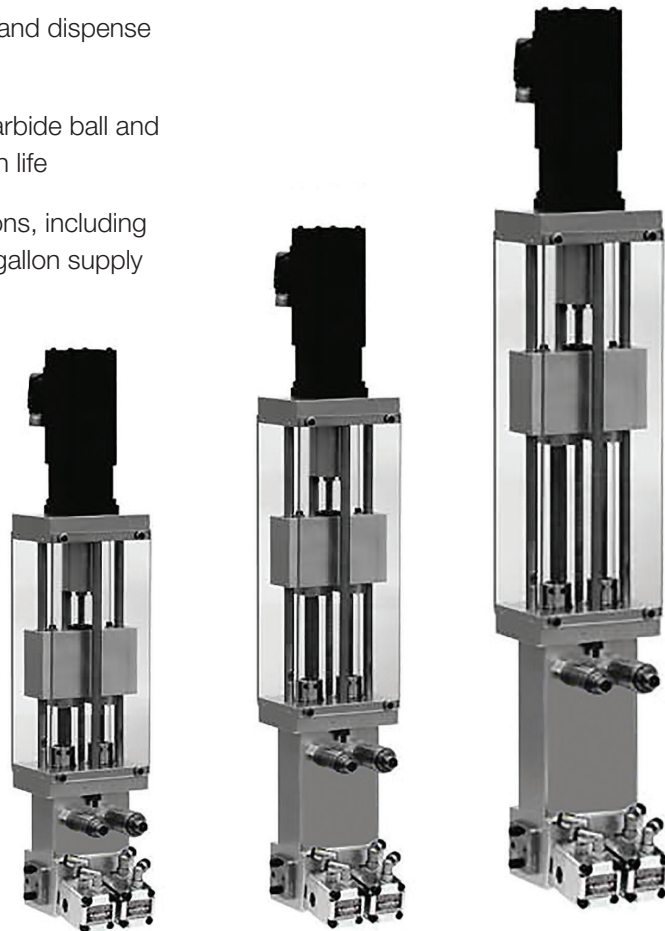
On demand, the Servo-Flo 801 system dispenses the precise volume of mixed material to the club head. The shaft is then inserted, the assembly is fixtured and pressed together for consistent adhesive coverage. The assembly is heated and the adhesive cures in approximately 3 minutes. To test the shaft to club head bond strength, each assembly undergoes a pull test to ensure that it can withstand a 5,500 PSI force when in use by the world's top golfers.

Servo-Flo 801 Features

- Ideal for many product assembly applications, including bonding golf club heads to shafts, doming decals and weighting of club heads
- Programmable pre-set shot volumes for easy, fast and on-demand use
- Precise and repeatable application of shots or beads for two-component material such as acrylics, epoxies, silicones and urethanes
- 6" color touch screen operator interface that connects directly to the PLC controller. Nordson Sealant Equipment software screens control manual and automatic cycles, select the active preset profile and flow rate, display meter status, diagnostic, and fault information, including animated graphics
- System easily integrates into manual, semi-automatic or fully-automated production environments
- Fixed ratio, positive rod displacement metering technology, ideal for dependable and consistent on-ratio metering, mixing and dispensing
- Flexible range of options for meter mounting and dispense valve actuation
- Air powered flow control valves that feature carbide ball and seat designs are designed for long production life
- Comprehensive range of material supply options, including pressure tanks, cartridges and 5-gallon / 55 gallon supply pumps.



Nordson Sealant Equipment Servo-Flo 801 Metering Systems are available in different capacity versions, sized for specific application volumes



**Nordson Sealant Equipment
Servo-Flo 801 Metering Systems
are available in tabletop or
robotic configurations, for batch
or high volume production**



For more information please visit www.nordson.com/nse

Nordson Sealant Equipment

Nordson is one of the world's leading producers of precision dispensing equipment that applies adhesives, sealants, liquid and powder coatings and other materials to a broad range of consumer and industrial products during manufacturing operations. Nordson has direct operations and sales support offices in more than 30 countries.

Why Choose Nordson

In highly competitive manufacturing markets, productivity is vital and performance is essential. That's why we apply both to everything we do, whether it's our products, expertise or outstanding customer service. We'll always be there to help maintain the new standards you've set, with expert service and support delivered through our teams working across the globe.

This unique Nordson approach helps you reach new levels of production, while working more accurately, efficiently and competitively than ever. Precisely why manufacturers who demand quality, can rely on Nordson.

Nordson Sealant Equipment

28775 Beck Road
Wixom, MI, 48393 USA
Phone: +1.248.412.7920
www.nordson.com/nse



[/Nordson_Coating](https://twitter.com/Nordson_Coating)



[/company/nordson-industrial-coating-systems](https://www.linkedin.com/company/nordson-industrial-coating-systems)

Find your local Nordson office:
www.nordson.com/icslocations

Performance by design


Nordson
SEALANT EQUIPMENT