



sinto

New Harmony >> New Solutions™

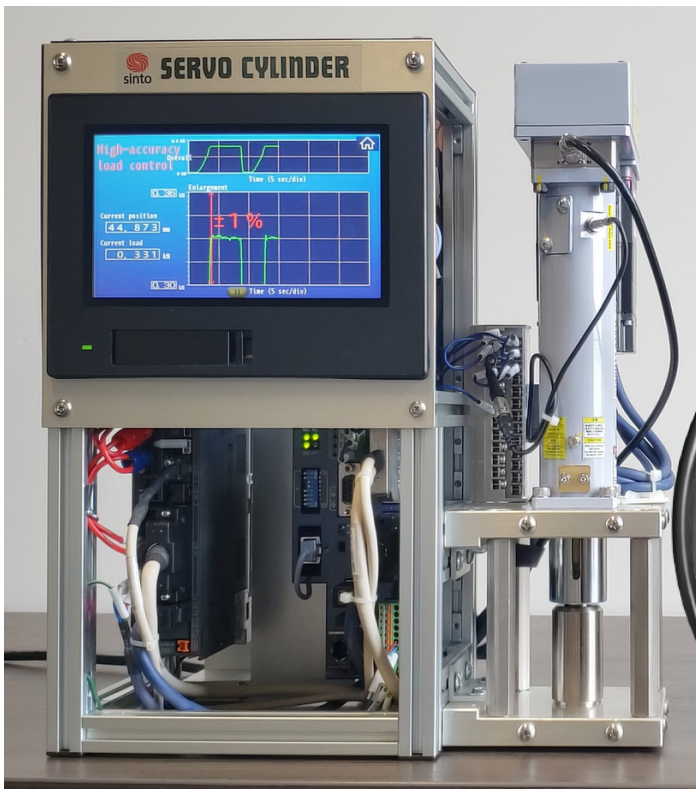
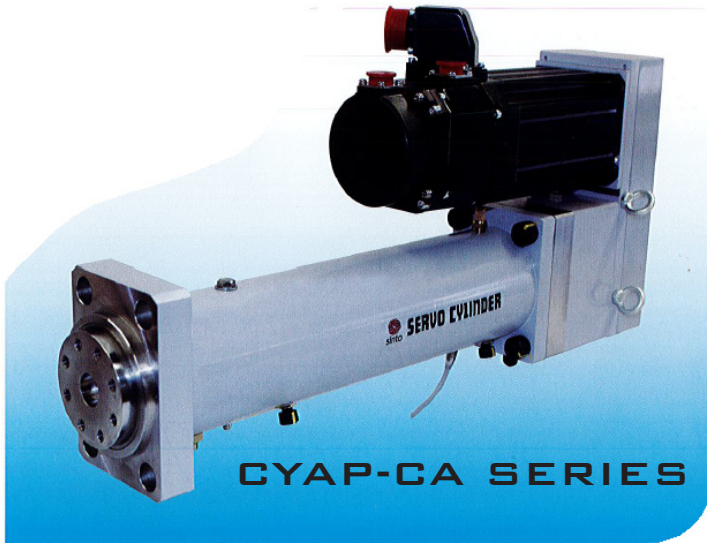
SintoAmerica.com

SINTO SERVO CYLINDER

The Smallest and Lightest Servo Cylinder in the Market Today

FEATURES

- Produces highly repeatable motion and load control
- Advance position control, repeatable within $\pm 0.01\text{mm}$
- Advance load control, accuracy within $\pm 1\%$ or less
- Five available motion control programs:
Stop by Position, Stop by Distance, Stop by Load Hold Position, Stop by Load Hold Load, Stop by Inflection Point
- Five pass/fail judgement instructions for 100% quality control
- Energy savings and reduced CO2 emission over hydraulic and pneumatic cylinders of similar size



Sinto Servo Cylinder demonstration cylinder performing Motion Control Program Stop by Load, Hold Load

SERVO CYLINDER

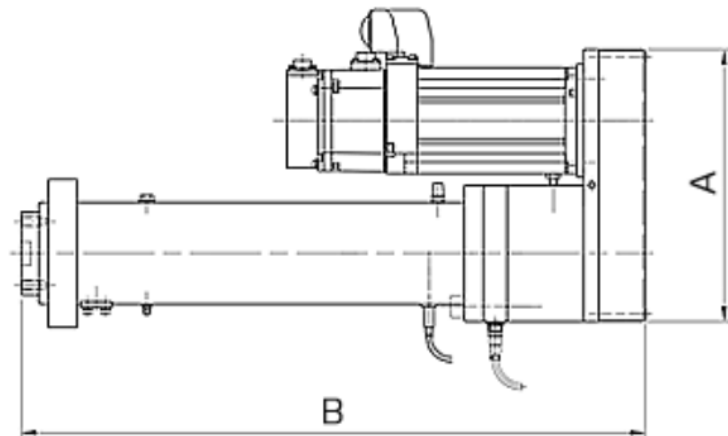
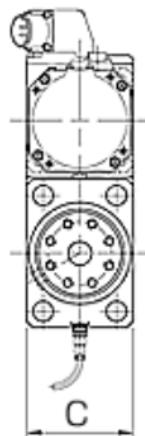
CYAP-CA SERIES

SPECIFICATIONS

	Instant Maximum Pressure	Continuous y Sustainable Pressure	Maximum Speed	Rated Speed	Stroke	Motor Capacity	Mass	Accuracy	Standard Equipment
CYAP-10CA	10 kN / 1,020 kgf (2,248 lbf)	3.6 kN (809.31 lbf)	175 mm/sec (6.89 in/sec)	87.5 mm/sec (3.44 in/sec)	STANDARD 200 mm (7.87") OPTIONAL 100 mm (3.94") 300 mm (11.81") 400 mm (15.75")	0.4 kW (0.53 HP)	14 kg (30.9 lb)	Repeatability positioning accuracy + or = 0.01mm (as extended) Loading accuracy + or = 1% FS (relative to full scale)	Standard Equipment includes. - Cylinder body including servo motor and load cell. - Servo amplifier cable (5 meter). - Servo brake cable (5 meter) - Servo encoder cable (5 meter.) - SCUB servo cylinder controller. - SCUB controller management software Options: - Teaching pendant - Memory card
CYAP-20CA	20 kN / 2,040 kgf (4,496 lbf)	7 kN (1,573.66 lbf)	170 mm/sec (6.69 in/sec)	85 mm/sec (3.35 in/sec)		0.75 kW (1.00 HP)	22 kg (48.5 lb)		
CYAP-30CA	30 kN / 3,060 kgf (6,744 lbf)	9.6 kN (2,158.17 lbf)	250 mm/sec (9.84 in/sec)	125 mm/sec (4.92 in/sec)		1.5 kW (2.00 HP)	32 kg (70.5 lb)		
CYAP-50CA	50 kN / 5,100 kgf (11,240 lbf)	14.5 kN (3,259.73 lbf)	220 mm/sec (8.66 in/sec)	110 mm/sec (4.33 in/sec)		2 kW (2.68 HP)	62 kg (136.7 lb)		
CYAP-100CA	100 kN / 10,200 kgf (22,480 lbf)	32.6 kN (7,328.77 lbf)	160 mm/sec (6.30 in/sec)	80 mm/sec (3.15 in/sec)		3.5 kW (4.69 HP)	120 kg (264.5 lb)		
CYAP-200CA	200 kN / 20,400 kgf (44,961 lbf)	78.5 kN (17,647.50 lbf)	100 mm/sec (3.94 in/sec)	55 mm/sec (2.17 in/sec)		7 kW (9.39 HP)	250 kg (551.2 lb)		

DIMENSIONS AND DRAWINGS

Model	A	B	C
CYAP-10CA	155 mm (6.1")	490 mm (19.3")	65 mm (2.6")
CYAP-20CA	194 mm (7.6")	515 mm (20.3")	80 mm (3.1")
CYAP-30CA	230 mm (9.1")	527 mm (20.7")	90 mm (3.5")
CYAP-50CA	260 mm (10.2")	590 mm (23.2")	135 mm (5.3")
CYAP-100CA	353 mm (13.9")	730 mm (28.7")	135 mm (5.3")
CYAP-200CA	450 mm (17.7")	910 mm (35.8")	215 mm (8.5")



SINTO AMERICA, INC.

SINTOKOGIO GROUP

150 Orchard St. Grand Ledge, MI 48837

Web: SintoAmerica.com Email: Sales@SintoAmerica.com

For information call Mike Fredbloom, Director of Sales, 517-281-5013